

Hearth Cabinet™

VENTLESS FIREPLACES



EXTERIOR FINISHES:

- BLACK POWDER COAT (*standard*)
- CUSTOM COLOR POWDER COAT
- BRUSHED STAINLESS STEEL
- SATIN BRASS

INTERIOR FINISHES:

- PORCELAIN PANELS
- HERRINGBONE TILE PATTERN
- RUNNING BRICK TILE PATTERN
- STAINLESS STEEL PANELS
- BRASS PANELS
- STAINLESS STEEL CURVED BACK
- CURVED BRASS BACK

DECORATIVE MEDIA:

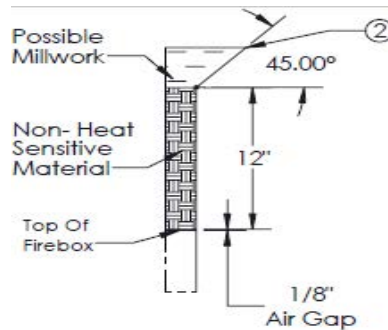
- RIVER STONES (*standard*)
- CERAMIC LOGS
- GLASS CHIPS

TALL FIREBOX FAMILY
 MODELS INCLUDED: #202, #303, #304

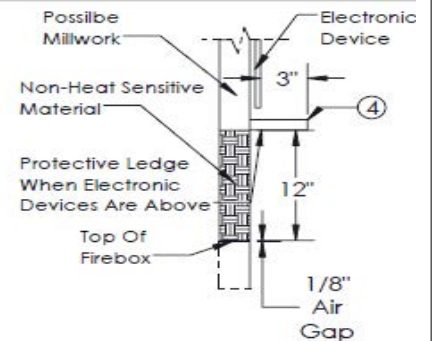
SPECIFICATIONS & DIMENSIONS:

- FIREBOX TO BE SECURED TO BASE (PROVIDED BY OTHERS) BY CONTRACTOR WITH FOUR SCREWS IN HOLES PROVIDED. NO OTHER ATTACHMENTS TO THE FIREBOX ARE PERMITTED.
- DO NOT PUNCTURE BACK, TOP, FRONT OR SIDE WALLS OF FIREBOX IN ANY FASHION.
- NO WEIGHT TO BE PUT ON FIREBOX.
- MILLWORK OR WALL ABOVE MUST BE SELF SUPPORTED AND MAY NOT REST ON FIREBOX.
- ALL WALL TREATMENTS BY OTHERS. FIRE RATED ASSEMBLIES OF PARTITIONS AND ANY OPENINGS ON PARTITIONS ARE THE RESPONSIBILITY OF OTHERS.
- BASE PROVIDED BY OTHERS MUST BE ABLE TO SUPPORT 40 LBS PER SQUARE FOOT.
- ALLOW 1/8" CLEARANCE ON TOP AND SIDES OF FIREBOX FRAME.

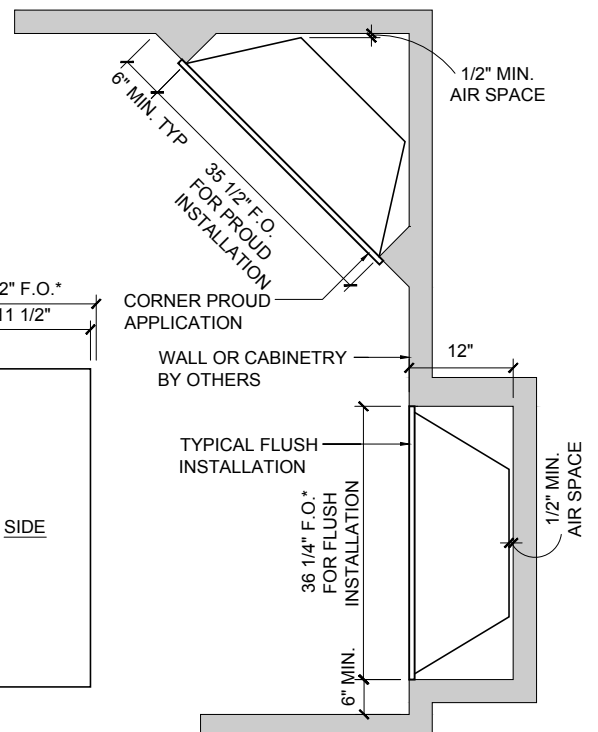
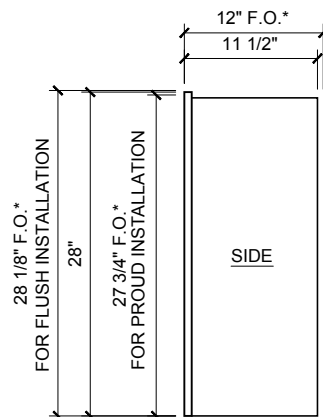
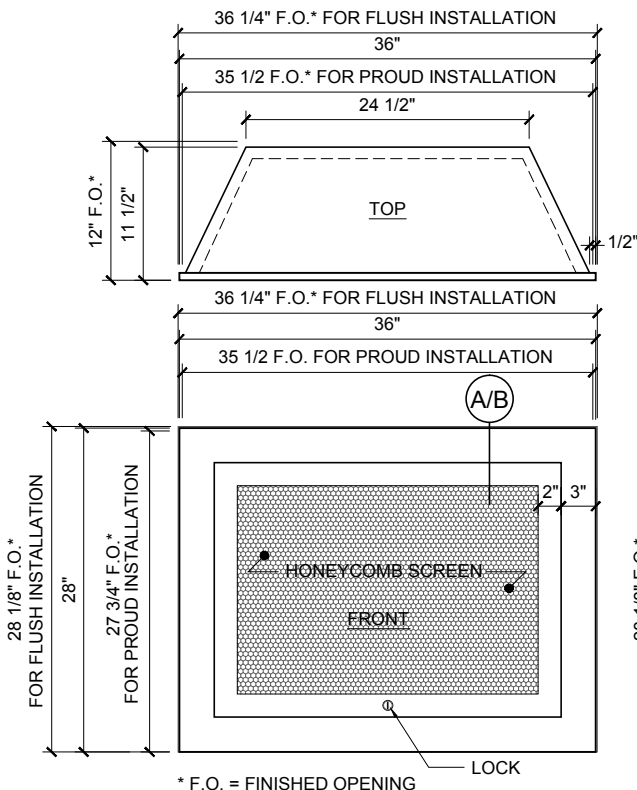
- 1 NO WOOD, LAMINATES, OR HEAT SENSITIVE MATERIALS. MAY OCCUR ABOVE THE FACE OF THE FIREBOX FOR THE FIRST 12" ABOVE THE FIREBOX
- 2 MILLWORK COMMENCING 12" ABOVE THE FIREBOX MAY PROTRUDE PAST THE FACE OF THE FIREBOX AT A 45 DEGREE ANGLE
- 3 12" MINIMUM CLEARANCE TO NEAREST ELECTRONIC DEVICE OR AS SPECIFIED BY PRODUCT MANUFACTURER
- 4 A NON-HEAT SENSITIVE LEDGE (BY OTHERS) MUST PROTRUDE A MIN. OF 3" PAST THE FACE OF ELECTRONIC DEVICE FOR HEAT DEFLECTION ABOVE FIREBOX AND BELOW ELECTRONIC DEVICE



(A) SECTION DETAIL @ MILLWORK



(B) SECTION DETAIL @ ELECTRONIC DEVICE



NY HEARTH CABINET CO., INC. 250 WEST 26TH STREET NEW YORK, NY 10001 T:212.242.1485 contact@hearthcabinet.com

www.hearthcabinet.com

© Copyright 2023 NY Hearth Cabinet Co., Inc.